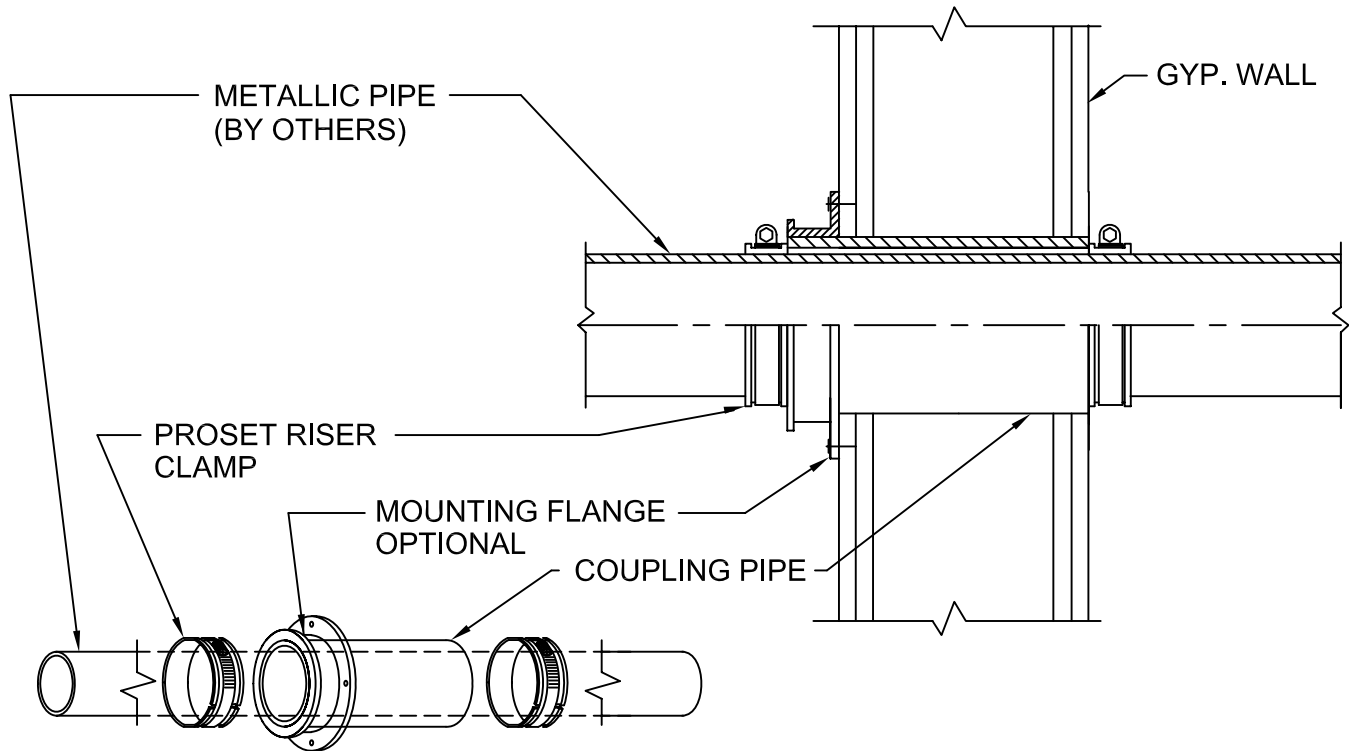


RISER CLAMP DEVICE

FOR 2 HR. GYPSUM WALLS



IMPORTANT NOTES :

1. Cut the Sleeve Coupling Pipe to extend a minimum of 1" beyond either side of the wall.
2. Cut a neat 2 3/4" hole through drywall for 2" pipe, 4" for 3", 5" for 4" and 7 1/4" for 6". Gaps up to 1/4" around sleeve can be filled with drywall cement.
3. The Sleeve Pipe can be anchored to the wall by solvent welding a Mounting Flange to one side and anchor to the wall through the hole in the flange or solvent welding Seal Rings on both sides of the wall. (See Drawing A-1014-F)
4. Pass the pipe through the Sleeve Coupling Pipe.
5. Install proper size split Riser Clamps on both sides of the wall.
6. When ordering Riser Clamp - Use suffix CU for copper sizes, S for steel pipe sizes.
7. Use Black letter Sleeve Pipe for Steel sizes - Red letter pipe for copper sizes.
See matrix A-102 for sizing pipe to Sleeves.



W.H. Directory Reference 99 Edition
Firestop Device
W.H. Design No. PS/PV 120-01
F Rating 2 Hrs.



PROSET[®]
SYSTEMS
FIRESTOP PENETRATOR™

DATE :
1-10-06
DRG. NO. :
A-1015-F