

# FIRESTOP SYSTEMS

**ProSet Systems, Inc.**

1355 Capital Circle Lawrenceville, GA 30043-5866 U.S.A.

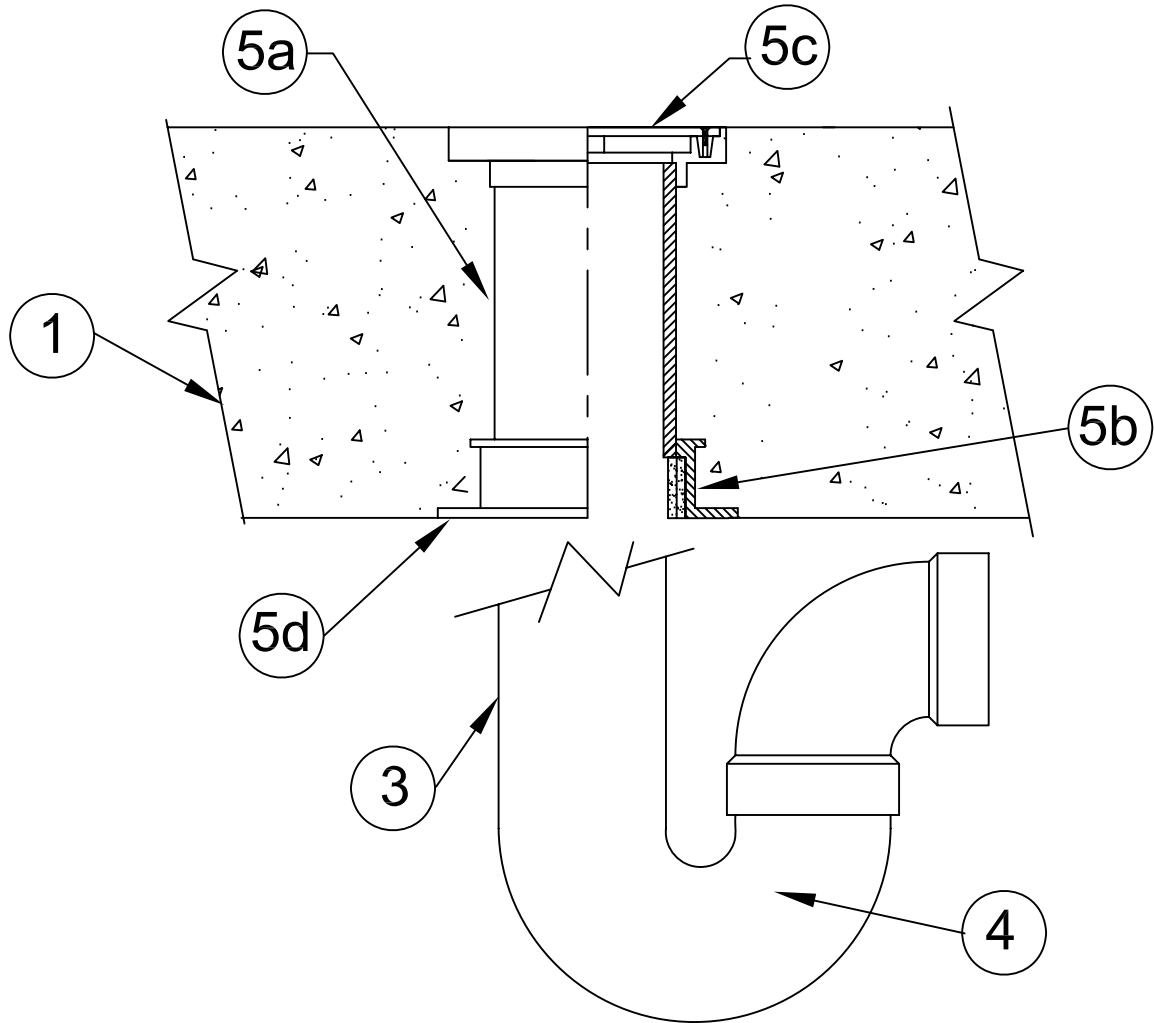
**Design No. PS/PH 120-07**

Horizontal (Floor)

Ratings: ASTM E-814 - 2 & 3 Hrs. (F), 0 Hrs. (T) (See PS/PHV 180-03)

CAN/ULC-S115 - 2 & 3 Hrs. (F/FH), 0 Hrs. (FT/FTH)

Test Pressure Differential - 50 Pa (0.20 in. of Water) Minimum



## 1. Floor:

Minimum 4" thick normal density concrete slab. F Rating of this penetration will equal that of the floor assembly up to 3 Hrs.

## 2. Pipe Support:

Pipe supported by solvent cementing the trap extension or pipe to sleeve coupling.

## 3. Pipe Materials:

ABS or cellular core PVC Pass-Through Pipe (Stacks), maximum diameter 4" (not shown).

## 4. P-Trap:

ABS or PVC, maximum diameter 4" (shown).

## 5. Firestop System Components:

5a. ProSet PVC Coupling\*, cast-in-place.

5b. ProSet Self-Seal Intumescent Wrap Strips\*.

One 1/4" thick wrap for 2" pipe, one 3/8" thick wrap for 3" pipe & one 5/8" thick wrap for a 4" pipe.

5c. Floor Drain or Shower Drain Assembly (shown).

5d. Proset Self Seal Mounting Flange\*.

**\* Component Bearing the Warnock Hersey International Certification Mark.**