

# FIRESTOP SYSTEMS

**ProSet Systems, Inc.**

1355 Capital Circle Lawrenceville, GA 30043-5866 U.S.A.

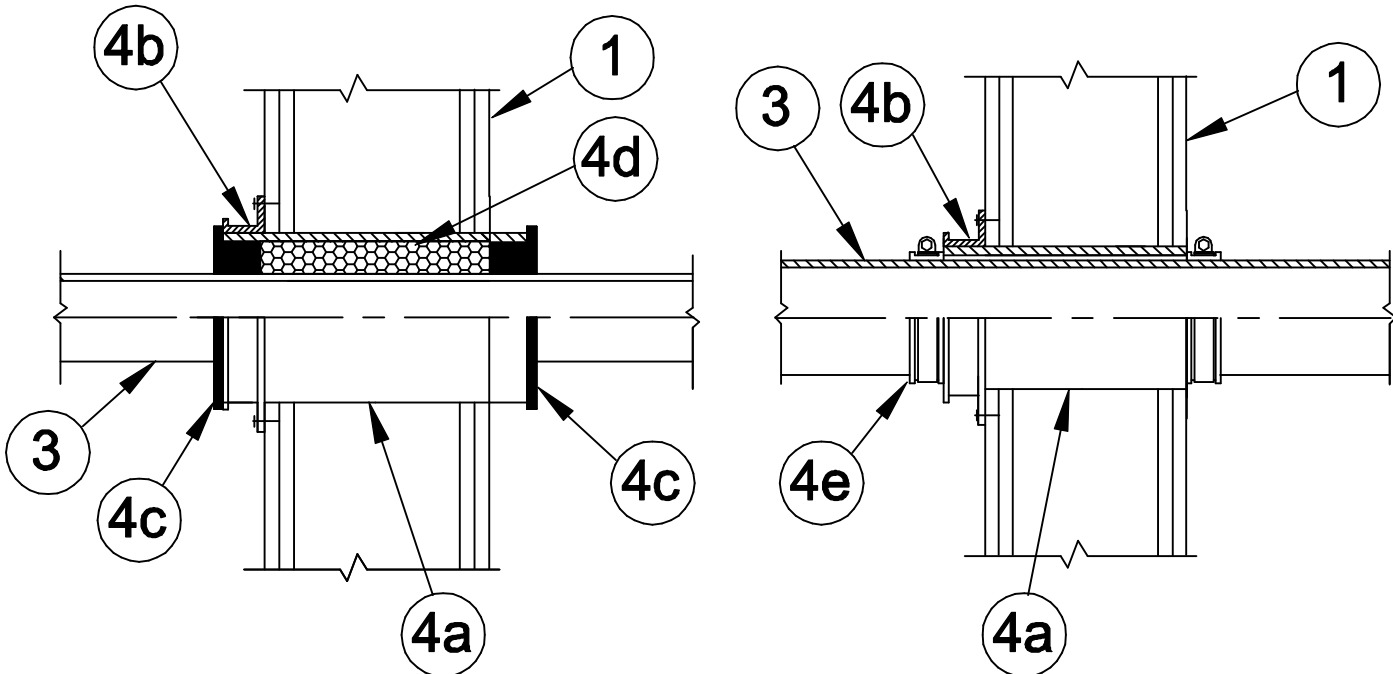
**Design No. PS/PV 120-01**

Vertical (wall)

Ratings:

PENETRATION (PIPE)		MAXIMUM RATINGS		
Material	Size	E-814	F	T
		S-115	F/FH	FT/FTH
Steel	1/2" - 6"		2 Hrs.	0
Copper	1/2"-1-1/2"		2 Hrs.	0
Sch. 40 CPVC	1/2"-1-1/2"		2 Hrs.	2 Hrs.

Test Pressure Differential - 50 Pa (0.20 in. of Water) Minimum



## 1. Wall:

Gypsum board / steel or wood stud wall, with minimum 2-1/2" cavity width, having a fire resistance rating equivalent to system rating desired.

## 2. Pipe Support: (not shown)

Pipe shall be reliably supported on both sides of wall assembly.

## 3. Pipe Material:

Refer to Table of Ratings.

## 4. Firestop Device:

4a. ProSet PVC Coupling.

4b. Locating rings solvent welded to 4a. Seal Rings or Mounting Flange may be used.

4c. ProSet "ProSeal Plug" installed on each end of coupling, for 1/2" through 1-1/2" CPVC or metallic pipe.

4d. ProSet "Fire Fill" Ceramic Fibre Insulation tightly packed around pipe.

4e. ProSet Riser Clamp, for 2" through 6" metallic pipe only.

**\* Component Bearing the Warnock Hersey International Certification Mark.**